

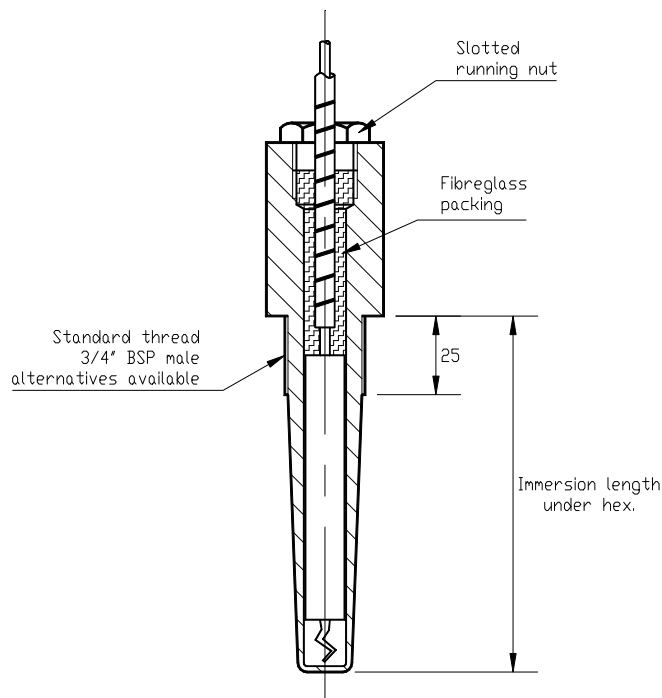
Thermowells are available in Stainless Steel.  
For alternative materials please consult the factory.

MATERIAL CODE:	MATERIAL	CODE
	Stainless Steel	T

CODE FOR LENGTH UNDER HEXAGON:	LENGTH	CODE
	115mm	A
	125mm	B
	150mm	C
	175mm	D
	200mm	E
	225mm	F
	250mm	G
	300mm	H

EXAMPLE: TE, means Stainless Steel with a length of 200mm under hexagon (add the above code to the end of The temperature switch code as shown in the code guide on leaflet 03/21, showing also the thread size required.

Thermowells are also available with flange mountings, the immersion length is then measured from under the face of the flange to the shank tip. These thermowells are prefixed with the letter 'F', placed in front of the material code, i.e. FBA (Flanged brass thermowell with an immersion under face of 115mm). Also state flange size and rating.



Section through screw type thermowell  
Showing how bulb is held inside.

Standard running nut has  $\frac{5}{8}$ " x 26 t.p.i. Brass thread (alternatives available).

Testing and inspecting procedures have been carried out, we believe, to all known standards and specifications encountered in the Chemical, Petroleum and Power Industries.

Test and material certificates can be provided when required.

Thermowells can also be manufactured to customer's own drawing/specification requirements.