

The Series 2000 is available with either Internal or External Adjustment. (External adjustment is standard supply unless otherwise requested). The principle for both is exactly the same as in that the Spring Button is acting on the Range Spring Tension required to reach the Set Point. As the Spring Button compresses the Spring, the pressure needed to move the Actuator on to the Switching Mechanism is higher. To get a lower Set Point release the tension on the Spring as required.



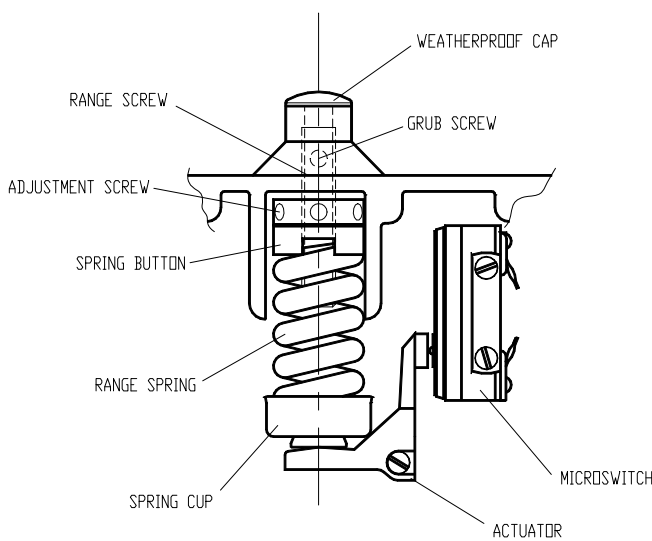
Example:  
TW - 2001H with Internal Adjustment

For Internal Adjustment the Range Screw is fixed to the Housing by a Grub Screw whilst setting is achieved by turning the Adjustment Screw clockwise to raise and anti-clockwise to lessen the Set Point to the required pressure. To rotate the Adjustment Screw insert a 3/16" diameter rod into the equi-spaced holes (see Fig. 1).

For External Adjustment the Range Screw passes through the top of the Housing in to a location depression in the Spring Button for the External Adjustment variation. Setting is achieved by releasing the Lock Nut and turning the Range Screw with a 3/16" A/F Allen Key, clockwise or anti-clockwise, the effect will be the same as above. When the Set Point is reached tighten up the Lock Nut again (see Fig. 2).

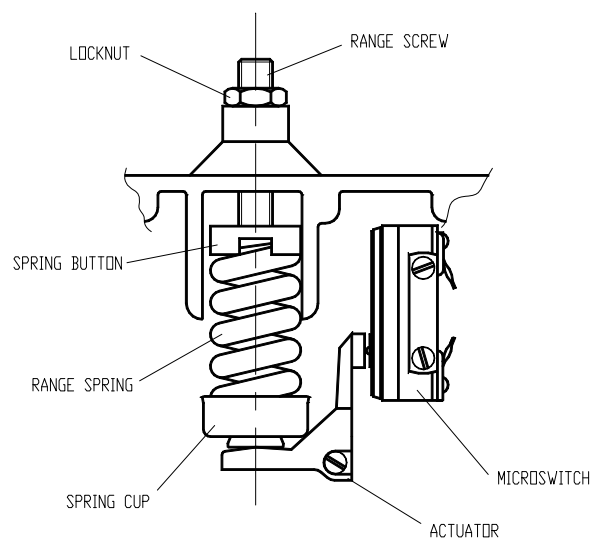
Note: Both variations are Weatherproof.

**Internal Adjustment**



**Fig. 1**

**External Adjustment**



**Fig. 2**