

**MODEL:**  
2003 Single Switch, Differential Non-Adjustable

The Pressure Switches in this group are built to operate with complete versatility in the higher-pressure ranges, from 7 to 420 Barg by the use of an encapsulated bellows.

Controls can be supplied with varying degrees of protection, and with various approvals for use in Explosion-proof/Flameproof areas. (Refer to list for options). More detailed information on these approvals can be found in the relevant sections of this catalogue.

Materials used in the manufacture of capsule units are according to customer requirements and operational application.

All switches are fitted with a mounting bracket as Standard.

All switches are available with internal or external set point adjustment (External Adjustment is Standard).

For accuracy class and zone refer to leaflet 03/09.



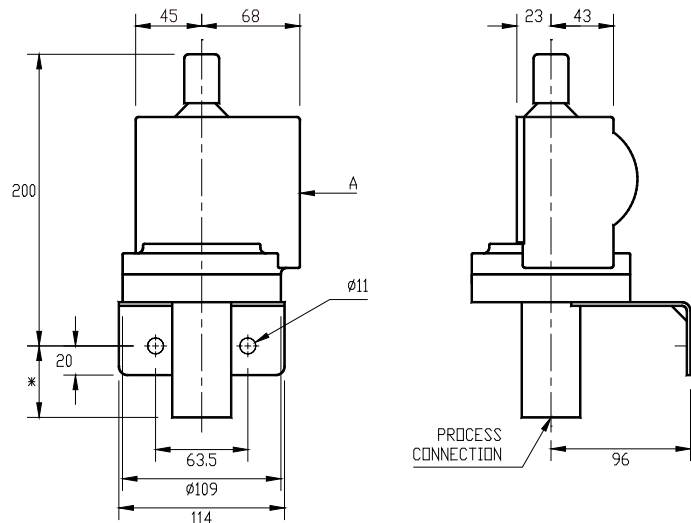
## PRESSURE OPERATED CONTROLS

OPERATING RANGE	DIFFERENTIAL NON-ADJUSTABLE	BASIC MODEL CODE	PROOF PRESSURE	MAX WORKING PRESSURE
7 to 100 Barg	1 or 2 Barg at range max*	8 – 2003W – S	140 Barg	120 Barg
140 to 420 Barg	7 or 14 Barg at range max*	10 – 2003W – S	560 Barg	504 Barg

\*Please state preference

Standard switches contain one single pole double throw microswitch.  
 Standard electrical rating 15 amps 400 vac.  
 Standard electrical entry M20 x 1.5 Int. through 360°.  
 Standard construction Stainless Steel Capsule and Stainless Steel Bellows (M.W.T. 200°C)

For construction other than above refer to the 2<sup>nd</sup> page of this leaflet for options and change code accordingly.



Terminal box, explosion-proof/flameproof enclosure, pneumatic valve fitted to surface 'A'  
 \*This dimension 48 for 8 & 9 ranges, 51 for 10 range.

DEGREE OF PROTECTION	WEATHERPROOF	CODE	
	IP55 IP66	W IP55 IP66	
ELECTRICAL OUTPUTS (FOR HAZARDOUS AREAS) (CE)	<b>ATEX approved for Zone 2 areas</b> EN IEC 60079-0:2018, EN IEC 60079-15:2019, EN IEC 60079-7:2015 + A1:2018 ⊕ II 3G Ex ec nC IIC T6 Gc (T <sub>amb</sub> = -20°C to +60°C) Certificate Number: Baseefa03ATEX0319X Issue 4 Certifying Authority: <b>SGS Fimko Oy</b>	E(d)	All ranges will have 2 x the larger of the two Non-Adjustable Differentials listed.
(UKCA)	EN IEC 60079-0:2018, EN IEC 60079-15:2019, EN IEC 60079-7:2015 + A1:2018 ⊕ II 3G Ex ec nC IIC T6 Gc (T <sub>amb</sub> = -20°C to +60°C) Certificate Number: BAS22UKEX0248X Certifying Authority: <b>SGS Baseefa Limited</b>		
(CE)	<b>ATEX approved for Zone 1 areas</b> EN IEC 60079-0:2018, EN 60079-1:2014 ⊕ II 2 G Ex db IIB + H <sub>2</sub> T6 Gb (T <sub>amb</sub> -20°C to +60°C) Certificate Number: Baseefa02ATEX0025X Issue 4 (single switch) *1 Certificate Number: Baseefa02ATEX0026X Issue 3 (twin/two switch) *1 Certifying Authority: <b>SGS Fimko Oy</b>	H(A – K)	*1/*2 H(A) = BZ-2R *1/*2 H(B) = BZ-R *1/*2 H(C) = BZ-2R-722 *1 H(D) = 91-SE1 *1 H(F) = 91-SE1-3N55 *1 H(I) = MT-4R *1/*2 H(J) = BM-2R *1/*2 H(K) = BM-1R
(UKCA)	EN IEC 60079-0:2018, EN 60079-1:2014 ⊕ II 2 G Ex db IIB + H <sub>2</sub> T6 Gb (T <sub>amb</sub> -20°C to +60°C) Certificate Number: BAS22UKEX0245X (single switch) *2 Certificate Number: BAS22UKEX0246X (twin/two switch) *2 Certifying Authority: <b>SGS Baseefa Limited</b>		Differentials Listed over and Electrical Ratings will vary depending on Microswitch Fitted. See Leaflet 22/02 for Details
	<b>Intrinsic Safety. Gold Contact Microswitch</b> classed as 'Simple Electrical Apparatus' and may be used without certification in a barrier circuit. (BS EN 60079-11: 2012, BS EN 60079-14: 2014 Para 3.5.5)	WIS	All ranges will have 1.5 x the larger of the two Non-Adjustable Differentials listed.
S.P.D.T. ALTERNATIVES	HIGH LOAD 10 amp, 125 vac/vdc		Prefix Range Code with 'X' and state ratings.
TWIN SWITCH MODELS (ELECTRICAL OUTPUT)	Twin Microswitches for simultaneous action	TW	Differential x 2
PNEUMATIC VALVE SWITCHES	Poppet 3 port Pilot Operated 3 port	SMS Prefix Range Code: PV	All ranges will have 2 x the larger of the two Non-Adjustable Differentials listed. Differential will be 5 x the larger listed.
TRANSFER SEAL DIAPHRAGM	Stainless Steel	2003/2	
PROCESS CONNECTIONS	¼" B.S.P. Female standard (Rp¼)		Alternatives available up to ½"
MANUAL RESET (RISING or FALLING)	Available on all Electrical & Pneumatic 2003 Series, except Explosion-proof/Flameproof Models.	MRR (Reset on Rising Pressure) MRF (Reset on Falling Pressure)	