

MODELS:

N201P Single Switch, Differential Non-Adjustable
 N202P Two Switch, Differential Non-Adjustable

All models are available as either Pressure or Vacuum sensitive switches and cover the range -1 to +21 Barg in a group of 7 basic models.

Controls can be supplied with varying degrees of protection, and with various approvals for use in Explosion-proof/Flameproof areas. (Refer to list for options). More detailed information on these approvals can be found in the relevant sections of this catalogue.

Materials used in the manufacture of sensing units and pressure chambers are according to customer requirements and operational application.

All switches are fitted with a mounting bracket as Standard.

All switches are available with internal or external set point adjustment (External Adjustment is Standard).

For accuracy class and zone refer to leaflet 03/09.

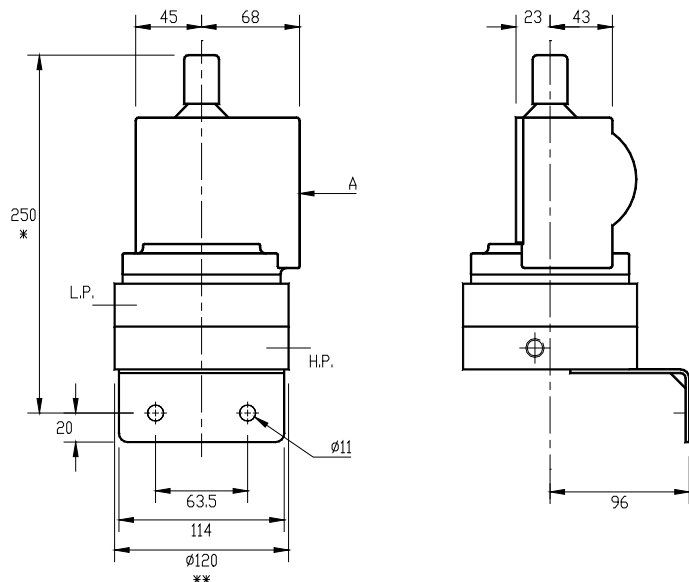


PRESSURE AND VACUUM DIFFERENCE OPERATED CONTROLS

OPERATING RANGE	RESET SENSITIVITY NON ADJUSTABLE	BASIC MODEL CODE RANGE CODE SERIES CODE	MAX STATIC PRESSURE	PROOF PRESSURE	MAX WORKING PRESSURE
-1 to +5.2 Barg	0.2 Barg	00 – N201PW – AO	14 Barg	21 Barg	14 Barg
0.07 to 0.5 Barg	0.08 Barg	3 – N201PW – AO	14 Barg	21 Barg	14 Barg
0.14 to 1.4 Barg	0.08 Barg	3A – N201PW – AO	14 Barg	21 Barg	14 Barg
0.14 to 4.2 Barg	0.1 Barg	4 – N201PW – AO	14 Barg	21 Barg	14 Barg
0.4 to 7 Barg	0.2 Barg	5 – N201PW – AO	14 Barg	21 Barg	14 Barg
1.4 to 14 Barg	0.5 Barg	6 – N201PW – AO	14 Barg	21 Barg	14 Barg
2.1 to 21 Barg	1 Barg	7 – N201PW – AO	21 Barg	21 Barg	21 Barg

Standard switches contain one single pole double throw microswitch.
 Standard electrical rating 15 amps 400 vac.
 Standard electrical entry M20 x 1.5 Int. through 360°.
 Standard construction Aluminium Pressure Chamber and Nitrile Rubber Diaphragm (M.W.T. 90° C) = AO.

For construction other than above refer to the 2nd page of this leaflet for options and change code accordingly.



Terminal box, explosion-proof/flameproof enclosure, pneumatic valve fitted to surface 'A'
 *This Dimension 260 for 1/2" NPT Female
 **This Diameter 140 for 1/2" NPT Female
 L.P. - Low Pressure Connection, H.P. – High Pressure Connection

DEGREE OF PROTECTION	WEATHERPROOF	CODE	W
	IP55	IP55	
	IP66	IP66	
ELECTRICAL OUTPUTS (FOR HAZARDOUS AREAS)	<p>ATEX approved for Zone 2 areas EN IEC 60079-0:2018, EN IEC 60079-15:2019, EN IEC 60079-7:2015 + A1:2018 ⚡ II 3G Ex ec nC IIC T6 Gc (T_{amb} = -20°C to +60°C) Certificate Number: Baseefa03ATEX0319X Issue 4 Certifying Authority: SGS Fimko Oy</p> <p>(UKCA) EN IEC 60079-0:2018, EN IEC 60079-15:2019, EN IEC 60079-7:2015 + A1:2018 ⚡ II 3G Ex ec nC IIC T6 Gc (T_{amb} = -20°C to +60°C) Certificate Number: BAS22UKEX0248X Certifying Authority: SGS Baseefa Limited</p> <p>(CE) ATEX approved for Zone 1 areas EN IEC 60079-0:2018, EN 60079-1:2014 ⚡ II 2 G Ex db IIB + H2 T6 Gb (T_{amb} -20°C to +60°C) Certificate Number: Baseefa02ATEX0025X Issue 4 (single switch) *1 Certificate Number: Baseefa02ATEX0026X Issue 3 (twin/two switch) *1 Certifying Authority: SGS Fimko Oy</p> <p>(UKCA) EN IEC 60079-0:2018, EN 60079-1:2014 ⚡ II 2 G Ex db IIB + H2 T6 Gb (T_{amb} -20°C to +60°C) Certificate Number: BAS22UKEX0245X (single switch) *2 Certificate Number: BAS22UKEX0246X (twin/two switch) *2 Certifying Authority: SGS Baseefa Limited</p> <p>Intrinsic Safety. Gold Contact Microswitch classed as 'Simple Electrical Apparatus' and may be used without certification in a barrier circuit. (BS EN 60079-11: 2012, BS EN 60079-14: 2014 Para 3.5.5)</p>	E(d)	All ranges will have 2 x the larger of the two Non-Adjustable Differentials listed.
		H(A – K)	*1/*2 H(A) = BZ-2R *1/*2 H(B) = BZ-R *1/*2 H(C) = BZ-2R-722 *1 H(D) = 91-SE1 *1 H(F) = 91-SE1-3N55 *1 H(I) = MT-4R *1/*2 H(J) = BM-2R *1/*2 H(K) = BM-1R Differentials Listed over and Electrical Ratings will vary depending on Microswitch Fitted. See Leaflet 22/02 for Details
		WIS	All ranges will have 1.5 x the larger of the two Non-Adjustable Differentials listed.
S.P.D.T. ALTERNATIVES	HIGH LOAD	10 amp, 125 vac/vdc	Prefix Range Code with 'X' and state ratings.
TWO SWITCH MODELS (ELECTRICAL OUTPUT)	Max. Setting Span = 30% of the Range Span	N202P	E(d), H(D), H(F), H(I) Not available as Two Switch Model
TWIN SWITCH MODELS (ELECTRICAL OUTPUT)	Twin Microswitches for simultaneous action	TW	All ranges will have 2 x the Non-Adjustable Reset Sensitivity listed.
PNEUMATIC VALVE SWITCHES	Poppet 3 port Pilot Operated 3 port	SMS PV	All ranges will have 2 x the Non-Adjustable Reset Sensitivity listed. Differential will be 5 x the larger listed.
PRESSURE CHAMBER MATERIAL	Stainless Steel Phosphor Bronze	S Z	
DIAPHRAGM MATERIAL	Viton (Reset Sensitivity x 1½) P.T.F.E.	V X	
RESET SENSITIVITY ADJUSTABLE (on N/T Switch Only) An Adjustable Reset Sensitivity (Adjustable Differential) is available on all ranges up to 30% of the span with the lowest Reset Sensitivity being 2x the one listed. (Not available on Pneumatic Output).		R/A	
FLANGES	Available on all models.	Prefix Series Code with: F	
FOR VACUUM SERVICE		Prefix Series Code with: V	
PROCESS CONNECTIONS	¼" B.S.P. Female standard (Rp¼) ¼" Flushout	Prefix Pressure Chamber Material code with: F	Alternatives available up to ½"
MANUAL RESET (RISING or FALLING)	Available on all Electrical & Pneumatic N201P Series, except Explosion-proof/Flameproof Models.	MRR (Reset on Rising Pressure) MRF (Reset on Falling Pressure)	