

MODELS:
HPN201P Single Switch, Differential Non-Adjustable

All models are available as Pressure Difference switches and cover the range 0.14 to 21 Barg in a group of 5 basic models.

Controls can be supplied with varying degrees of protection, and with various approvals for use in Explosion-proof/Flameproof areas. (Refer to list for options). More detailed information on these approvals can be found in the relevant sections of this catalogue.

Materials used in the manufacture of sensing units and pressure chambers are according to customer requirements and operational application.

All switches are fitted with a mounting bracket as Standard.

All switches are available with internal or external set point adjustment (External Adjustment is Standard).

For accuracy class and zone refer to leaflet 03/09.



PRESSURE AND VACUUM DIFFERENCE OPERATED CONTROLS – PISTON TYPE

OPERATING RANGE	RESET SENSITIVITY NON-ADJUSTABLE	BASIC MODEL CODE RANGE SERIES CODE CODE	MAX STATIC PRESSURE	PROOF PRESSURE	MAX WORKING PRESSURE
0.14 to 1.4 Barg	0.15 Barg	3A – HPN201PW – SO†	200 Barg	226 Barg	200 Barg
0.14 to 4 Barg	0.4 Barg	4 – HPN201PW – SO†	200 Barg	226 Barg	200 Barg
0.9 to 7 Barg	0.45 Barg	5 – HPN201PW – SO†	200 Barg	226 Barg	200 Barg
1.4 to 14 Barg	0.65 Barg	6 – HPN201PW – SO†	200 Barg	226 Barg	200 Barg
2.1 to 21 Barg	0.8 Barg	7 – HPN201PW – SO†	200 Barg	226 Barg	200 Barg

PRESSURE AND VACUUM DIFFERENCE OPERATED CONTROLS – DIAPHRAGM TYPE

OPERATING RANGE	RESET SENSITIVITY NON-ADJUSTABLE	BASIC MODEL CODE RANGE SERIES CODE CODE	MAX STATIC PRESSURE	PROOF PRESSURE	MAX WORKING PRESSURE
0.14 to 1.4 Barg	0.16 Barg	3A – HPN201PW – ST††	200 Barg	226 Barg	200 Barg
0.14 to 4 Barg	0.4 Barg	4 – HPN201PW – ST††	200 Barg	226 Barg	200 Barg
0.9 to 7 Barg	0.45 Barg	5 – HPN201PW – ST††	200 Barg	226 Barg	200 Barg
1.4 to 14 Barg	0.65 Barg	6 – HPN201PW – ST††	200 Barg	226 Barg	200 Barg
2.1 to 21 Barg	0.8 Barg	7 – HPN201PW – ST††	200 Barg	226 Barg	200 Barg

Standard switches contain one single pole double throw microswitch.

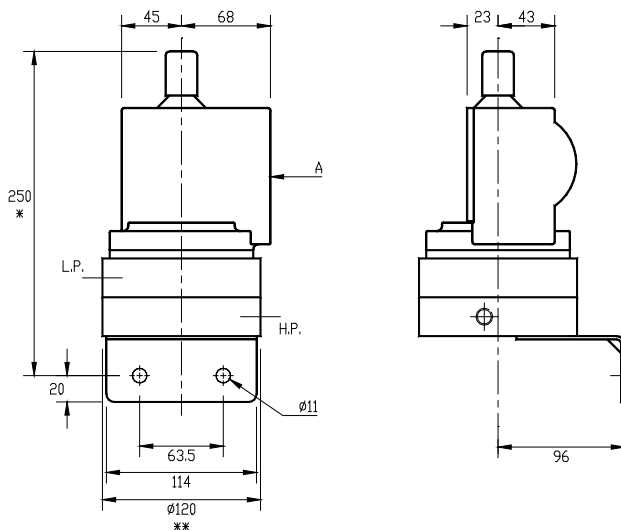
Standard electrical rating 15 amps 400 vac.

Standard electrical entry M20 x 1.5 Int. through 360°.

† Standard construction Stainless Steel Pressure Chambers and Stainless Steel Piston with Buna N 'O' Ring (M.W.T. 90° C) = SO.

†† Standard construction Stainless Steel Pressure Chambers and Stainless Steel Diaphragm (M.W.T. 200° C) = ST.

For construction other than above refer to the 2nd page of this leaflet for options and change code accordingly.



Terminal box, explosion-proof/flameproof enclosure, pneumatic valve fitted to surface 'A'

DEGREE OF PROTECTION	WEATHERPROOF	CODE	
	IP55 IP66	W IP55 IP66	
ELECTRICAL OUTPUTS (CE) (FOR HAZARDOUS AREAS)	ATEX approved for Zone 2 areas EN IEC 60079-0:2018, EN IEC 60079-15:2019, EN IEC 60079-7:2015 + A1:2018 ⊕ II 3G Ex ec nC IIC T6 Gc (T _{amb} = -20°C to +60°C) Certificate Number: Baseefa03ATEX0319X Issue 4 Certifying Authority: SGS Fimko Oy	E(d)	All ranges will have 2 x the larger of the two Non-Adjustable Differentials listed.
(UKCA)	EN IEC 60079-0:2018, EN IEC 60079-15:2019, EN IEC 60079-7:2015 + A1:2018 ⊕ II 3G Ex ec nC IIC T6 Gc (T _{amb} = -20°C to +60°C) Certificate Number: BAS22UKEX0248X Certifying Authority: SGS Baseefa Limited		
(CE)	ATEX approved for Zone 1 areas EN IEC 60079-0:2018, EN 60079-1:2014 ⊕ II 2 G Ex db IIB + H ₂ T6 Gb (T _{amb} -20°C to +60°C) Certificate Number: Baseefa02ATEX0025X Issue 4 (single switch) *1 Certificate Number: Baseefa02ATEX0026X Issue 3 (twin/two switch) *1 Certifying Authority: SGS Fimko Oy	H(A – K)	*1/*2 H(A) = BZ-2R *1/*2 H(B) = BZ-R *1/*2 H(C) = BZ-2R-722 *1 H(D) = 91-SE1 *1 H(F) = 91-SE1-3N55 *1 H(I) = MT-4R *1/*2 H(J) = BM-2R *1/*2 H(K) = BM-1R
(UKCA)	EN IEC 60079-0:2018, EN 60079-1:2014 ⊕ II 2 G Ex db IIB + H ₂ T6 Gb (T _{amb} -20°C to +60°C) Certificate Number: BAS22UKEX0245X (single switch) *2 Certificate Number: BAS22UKEX0246X (twin/two switch) *2 Certifying Authority: SGS Baseefa Limited		Differentials Listed over and Electrical Ratings will vary depending on Microswitch Fitted. See Leaflet 22/02 for Details
	Intrinsic Safety. Gold Contact Microswitch classed as 'Simple Electrical Apparatus' and may be used without certification in a barrier circuit. (BS EN 60079-11: 2012, BS EN 60079-14: 2014 Para 3.5.5)	WIS	All ranges will have 1.5 x the larger of the two Non-Adjustable Differentials listed.
S.P.D.T. ALTERNATIVES	HIGH LOAD	10 amp, 125 vac/vdc	Prefix Range Code with 'X' and state ratings.
TWIN SWITCH MODELS (ELECTRICAL OUTPUT)	Twin Microswitches for simultaneous action		TW All ranges will have 2 x the Non-Adjustable Differential listed.
PRESSURE CHAMBER/ PISTON MATERIAL	Monel		M
DIAPHRAGM MATERIAL (Diaphragm Operated)	Monel		M
'O' RING MATERIAL (Piston Operated)	EPDM		E (-40 to +150°C)
PROCESS CONNECTIONS	1/4" N.P.T. Female standard 1/4" Flushout	Prefix Pressure Chamber Material code with: F	Alternatives available up to 1/2"
MANUAL RESET (RISING or FALLING)	Available on all Electrical HPN2001 Series except Explosion-proof/Flameproof Models.		MRR (Reset on Rising Pressure) MRF (Reset on Falling Pressure)